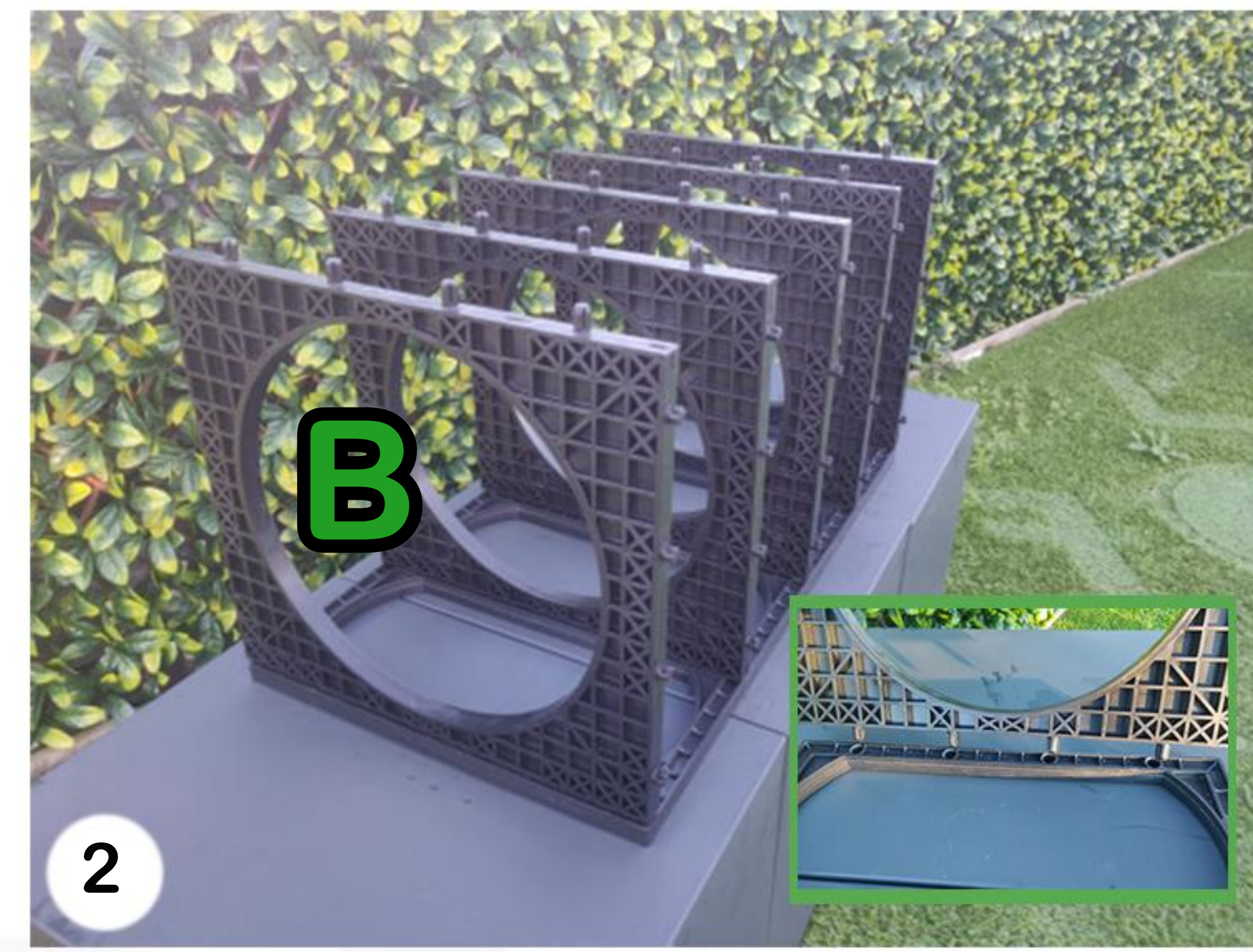
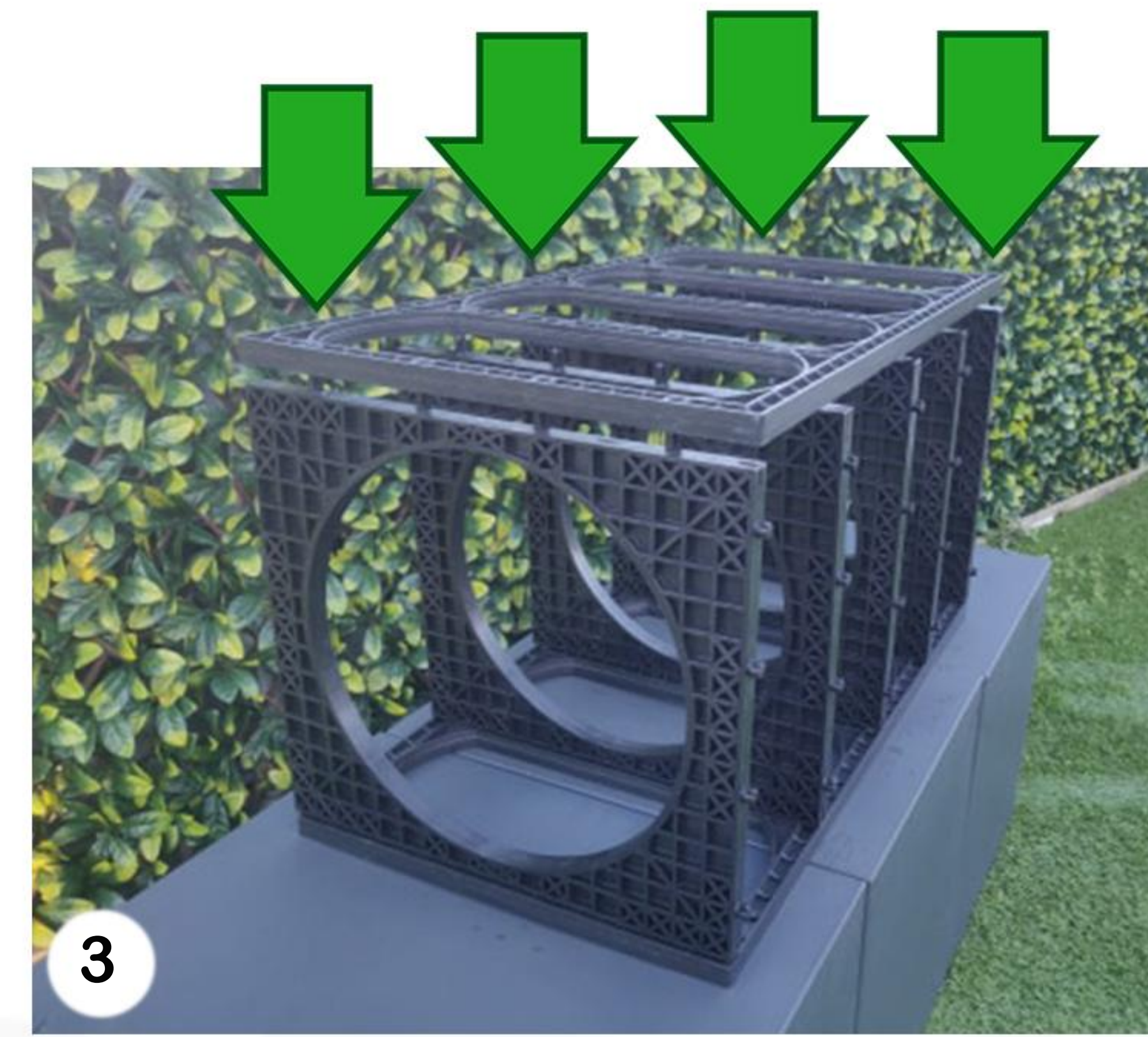


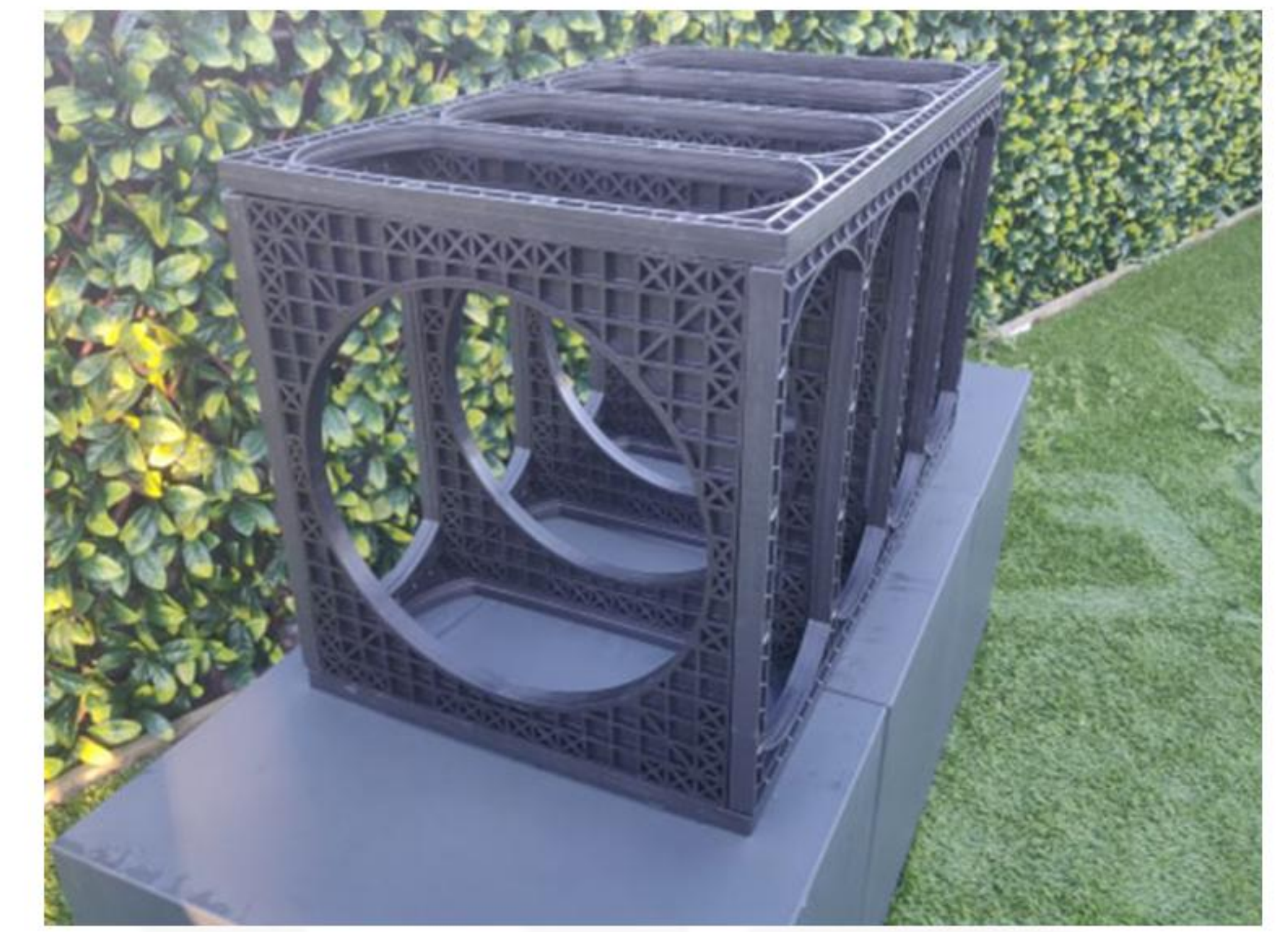
1 Lay a large open Terravault plate (A) on a level surface.



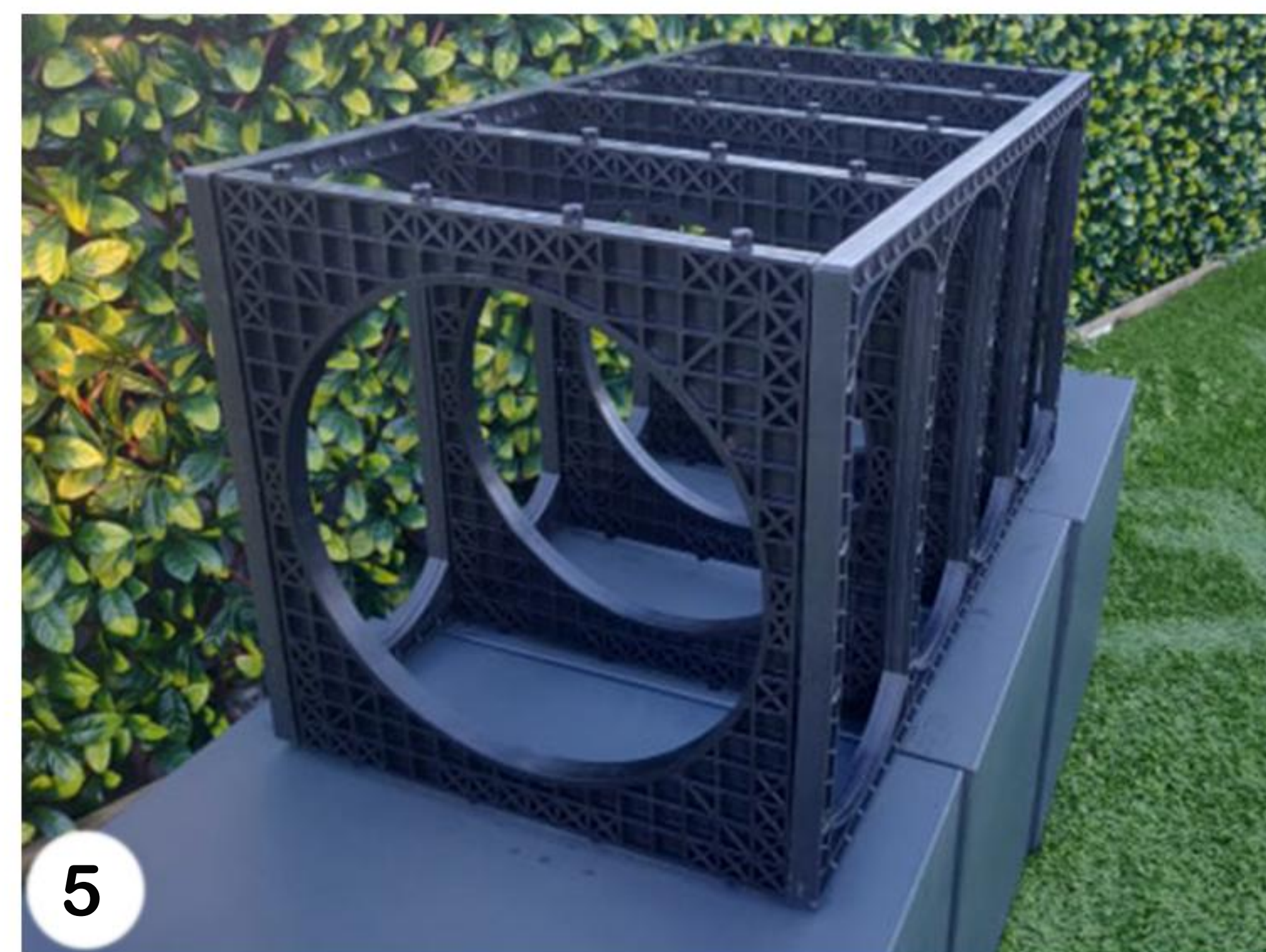
2 Insert 5 small open access plates (B) placing the lugs into the small holes that are equally spaced on the plate. If you are looking to cap off one end then replace one end open access plate with a small closed Ellipse plate.



3 Lay another large Terravault plate (A) on to top of the small open access plates and align holes. If you are looking to block off a side then replace the large Terravault plate with a large closed Ellipse plate.



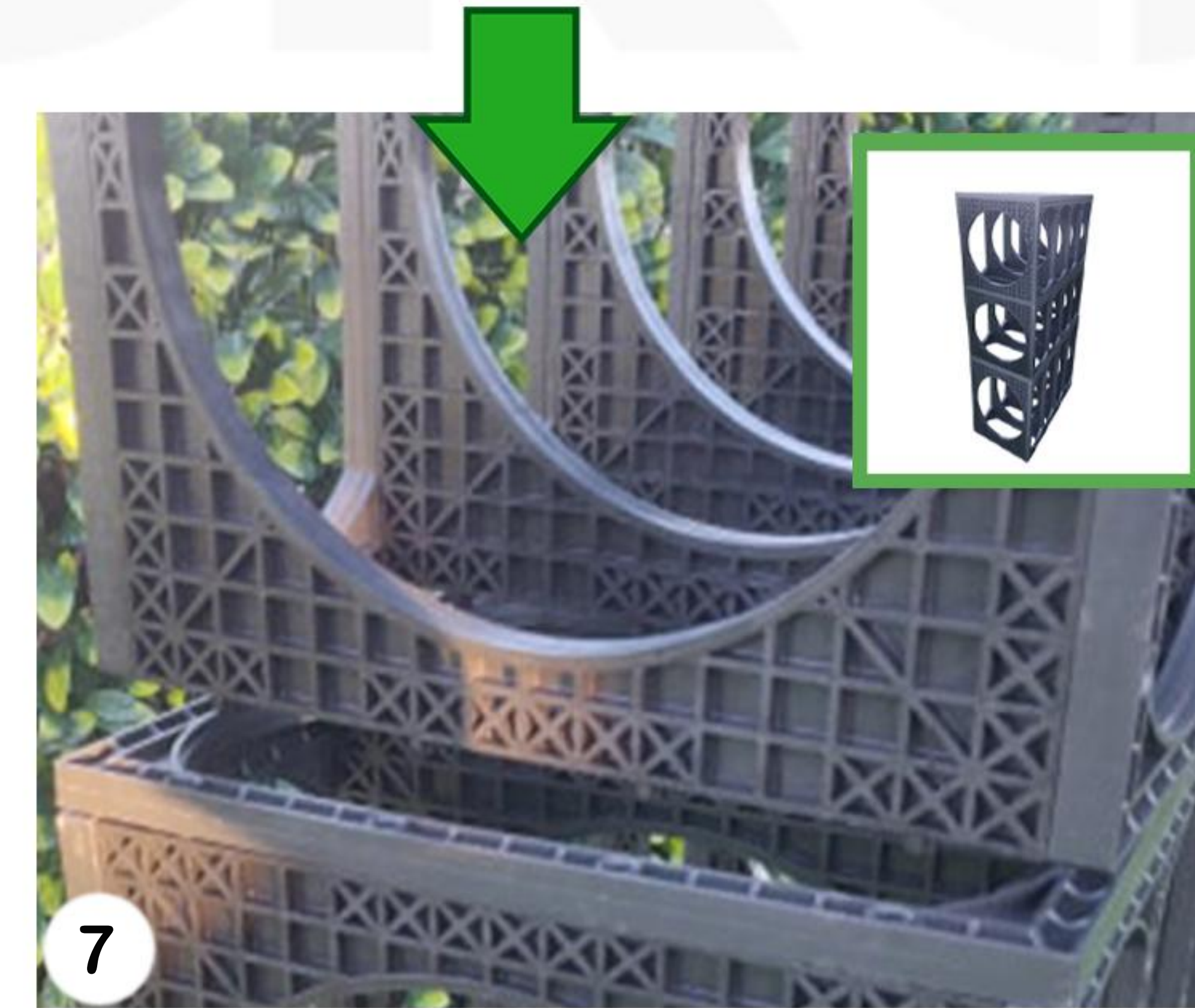
Turn the crate on its side so that an open face is pointing upwards and add another large Terravault plate (A). Tap into place. Now turn the crate upside down & add another large Terravault plate (A). You now have the base of your module.



5 Repeat steps 1, 2, 3 and 4 making sure that you have closed of the same plates as with the base. This time however, do not add the final large Terravault plate (A).



6 Place this crate on top of the shallow module you built (steps 1-4) open face down. You now have a double module – put this to one side.



7 Repeat steps 1, 2, 3 – you can now add this to the top of the double module you have put to one side – this will make a triple module. Leave the top open until after installation so soil can easily be added.


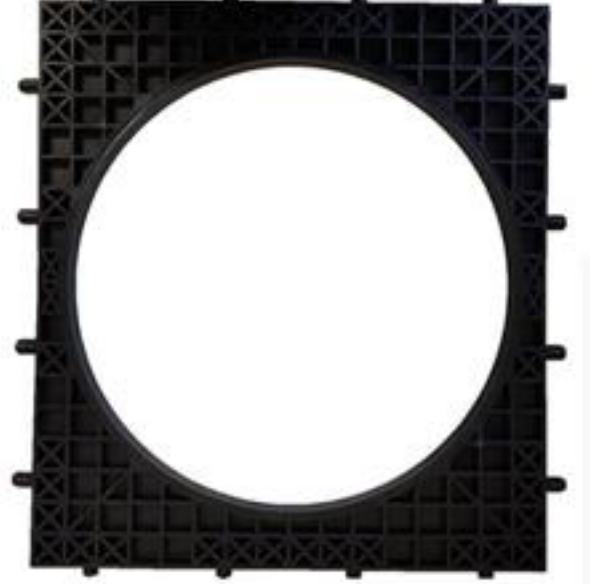
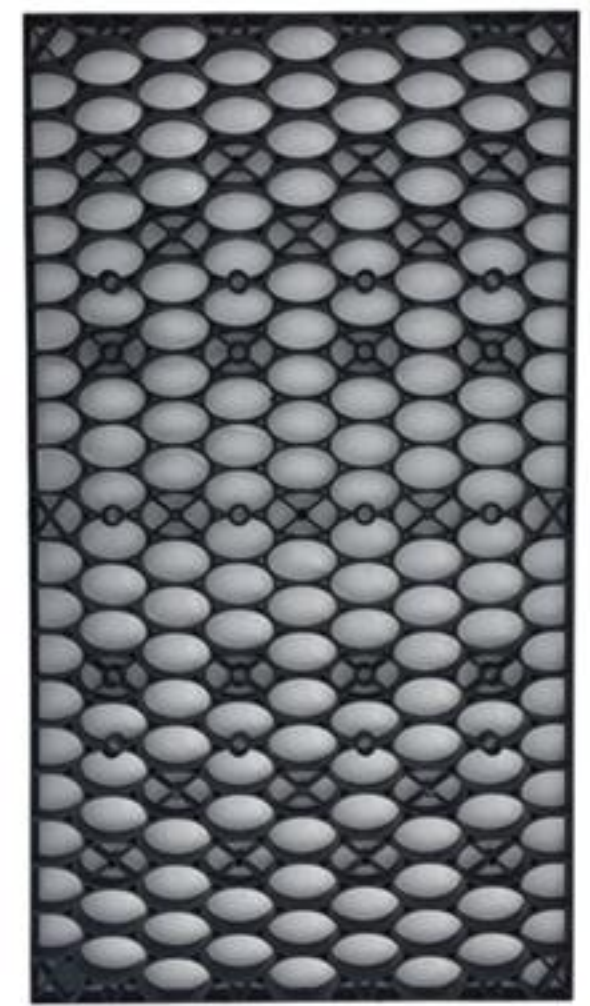
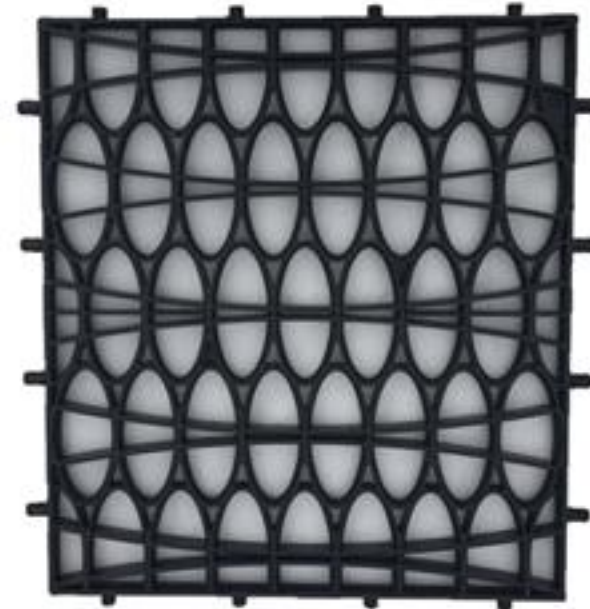




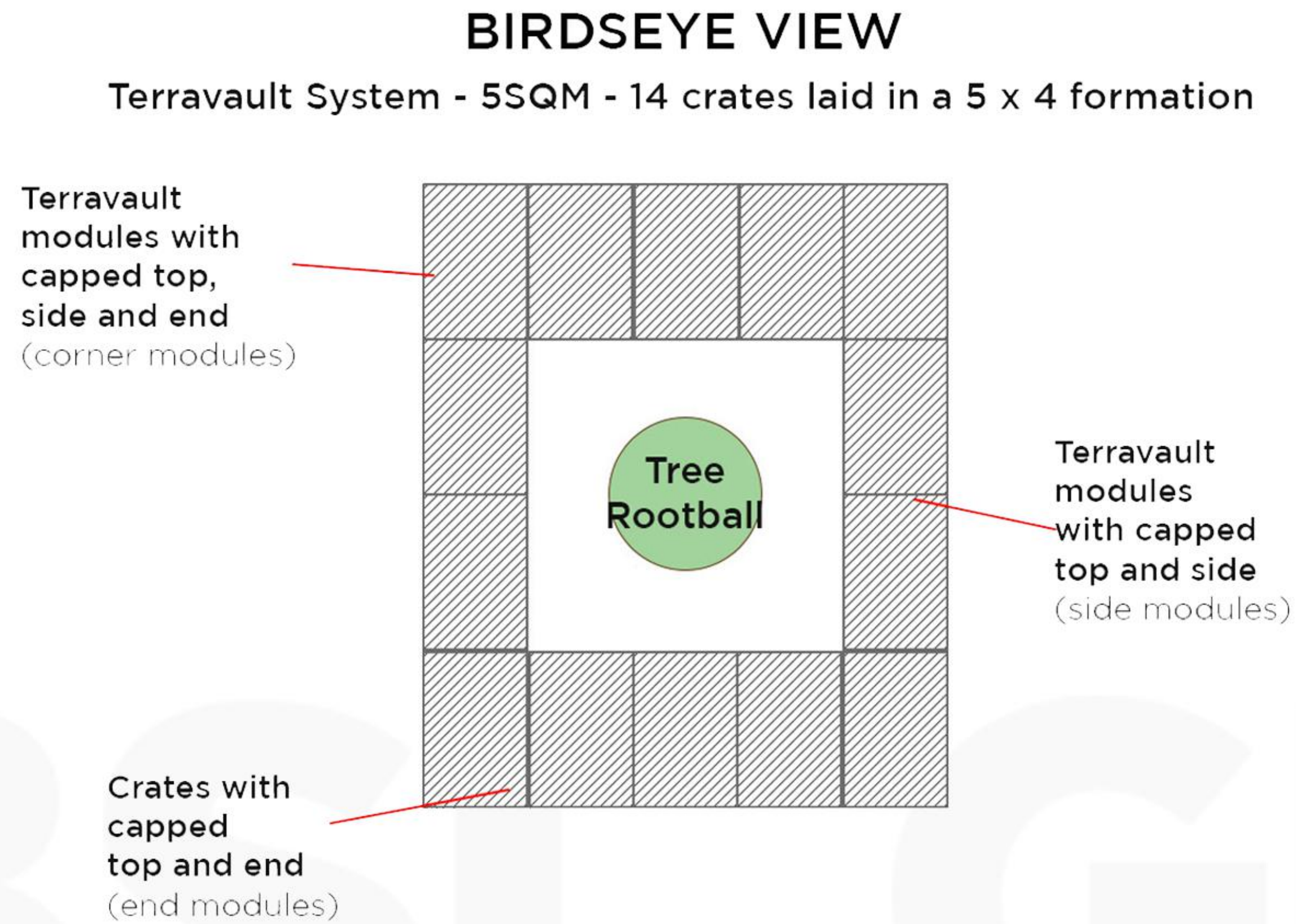
8 Add the crates to your excavation with the open tops. Fill modules with nutrient-rich soil. You can then attach the final Ellipse large closed plates on top of the modules.

RAINSMART TERRAVALT ROOT PROTECTION SYSTEM

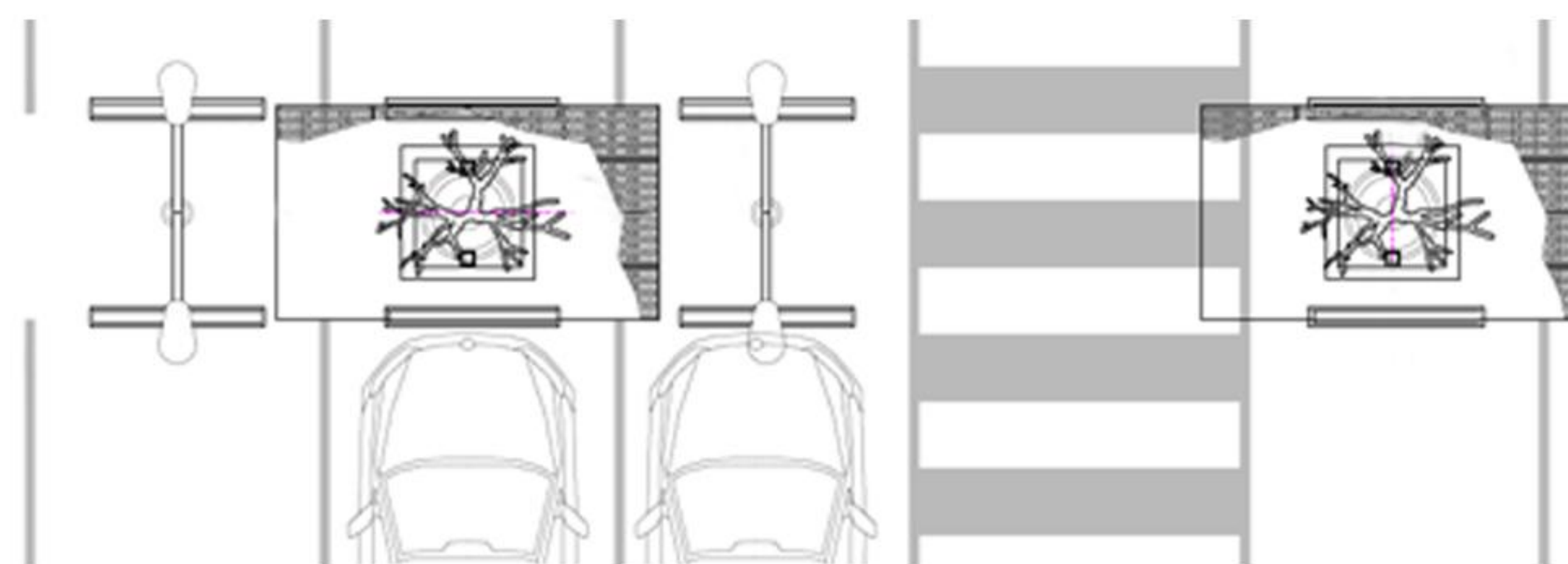
5 SQM TRIPLE - 2m (W) x 2.86m (L) x 1.28m (D)

COMPONENT LIST & INSTALLATION TIPS

COMPONENT LIST	
Terravault Plate 	x 102
Open Access Plate 	x 180
Large Ellipse Plate 	x 38
Small Ellipse Plate 	x 30
Cable Tie 	x 14
Rubber Mallet 	x 1



The 5 SQM Terravault Tree Root protection system is comprised of 14 crates laid out 5 crates wide x 4 crates long. Each individual module should have a large Ellipse plate on top. All modules on the edge of the system are to be capped using either the Large Ellipse Plates (for the sides) or Small Ellipse Plates (for the ends).



The hole for the tree rootball should be left open - 2 crates long x 3 crates wide (1.2m x 1.4m). Roots can then feed into the openings of the Terravault modules following the paths of least resistance.



All crates should be built and laid in the excavation without the top Large Ellipse Plate added (as per the image above). Modules should then be filled with nutrient-rich soil to act as a slow-release fertiliser continually feeding the root structure. Once this has been added, the top capped plates can then be attached.



You should place Terravault units tightly butt up against each other. You can connect modules together using cable ties. Cable ties are not structural, they are only used to hold the modules in place until backfill is added to the installation.