



Simplicity Xtra

Installation Guide

Please check off all your parts against the CAD drawing you have been supplied. Check for both quality and quantity. Any discrepancies or quality issues need to be reported within 24 hours from receipt of delivery.

Profiles



70mm Post



Bolster Bar End Cap



Bolster Bar Top Cap



Bolster Bar



Post Foot



Eaves Beam Pitcher

Simplicity Xtra

Profiles contd.



Eves Beam



Glass End Trim



Gutter End



Gutter Trim



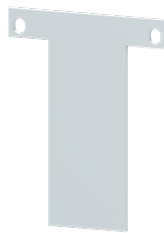
Gutter



L Bracket



Plastic Insert



T Bracket



Wall Plate End



Wall Plate Pitcher



Wall Plate

Simplicity Xtra

Tools Required



Drill



Masonry Drill bits



Spirit Level



Mastic Gun



13mm Ratchet Spanner
8mm Ratchet Spanner



Stanley Knife



Rubber Mallet



Chop saw
with aluminium blade,
recommended 60 to 80 tooth



42mm Hole saw

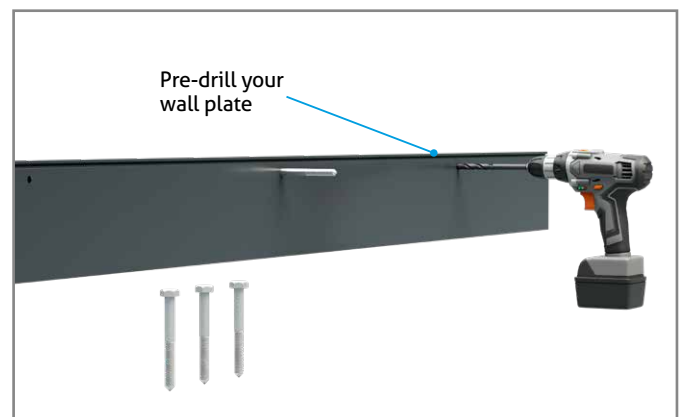
YOU NEED YOUR CAD DRAWING AVAILABLE TO PROCEED WITH YOUR INSTALLATION

Installation Instructions

1. Fitting the Wall Plate

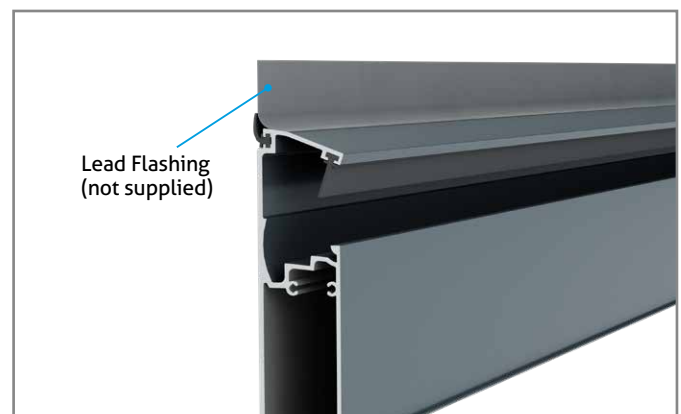
Pre-drill your wall plate at the same centre spacings as your bar spacing. Locate your wall plate at the correct height as detailed on the CAD and using suitable fixing (not supplied) for the substrate you are fixing to attach your wall plate. Using a spirit level ensure the wall plate is completely level.

The wall plate does have an integral gasket fitted to the surface that is adjoining the wall. This is designed to provide an interface between the back of the wall plate and the wall and is NOT a feature that provides an adequate watertight seal.



2. Sealing the Wall Plate to the Wall

Lead flashing (not provided) is the recommended method for sealing the wall plate to the wall. In certain circumstances this may not be possible so a weatherproof silicone sealant (not provided) could be used.



Simplicity Xtra

Installation Instructions

3. Locating the Wall Plate Pitch Finder into the Wall Plate

You need to rotate the Wall Plate Pitch Finder into the Wall Plate profile. This has a black gasket fitted so when the Pitch Finder is located correctly the Gasket will be at the bottom of the wall plate.

4. Wall Plate Top Gasket

There is also a Wall Plate Top Flipper Gasket located at the top of the wall plate.

5. Fitting of Bolts into Pitch Finder

You now need to slide your M8 X 12MM Stainless steel bolts into the Pitch Finder Bolt channel. These are to secure your T brackets into place, so locate as many bolts into the channel as holes you have in your T brackets.

The T bracket that fits into the end bolster bar has one of the wings removed.

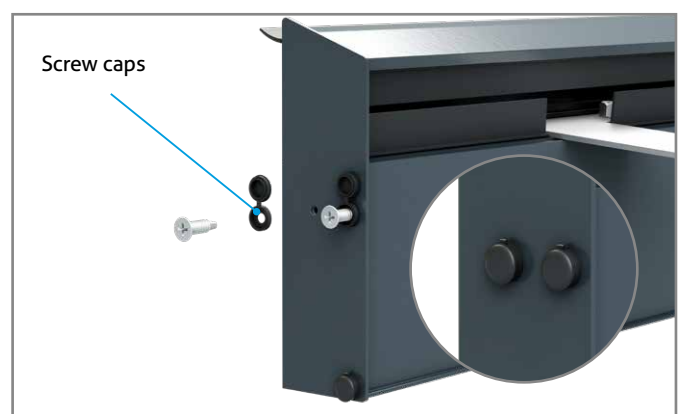
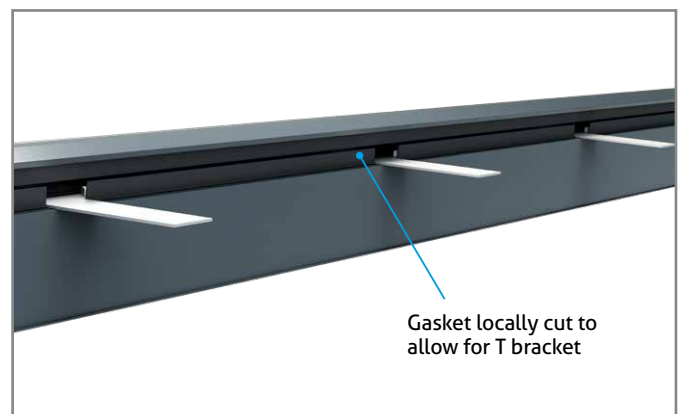
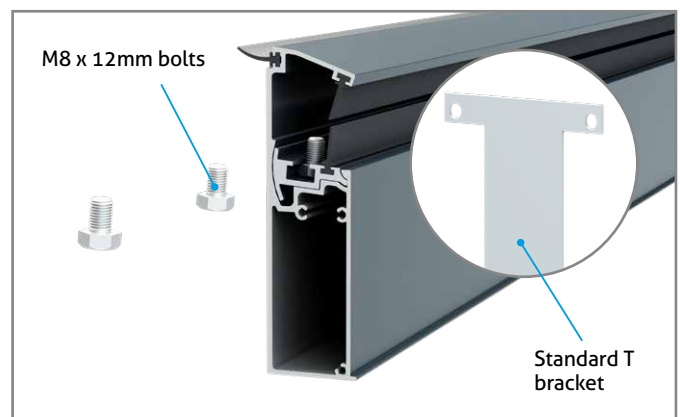
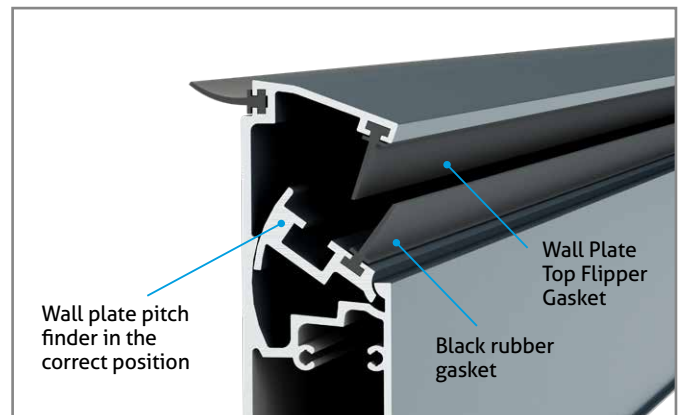
6. Securing your T brackets into place Wall Plate only

Using your M8 X 12MM Bolts and M8 Nyloc Nuts you can now secure your T brackets into the correct position within your wall plate. Using your CAD drawing you will see the centre to centre measurement so this is where your T brackets need to locate.

The T brackets are 60mm wide so you need to cut the bottom gasket only where the T brackets lands so there is no interference.

7. Wall Plate End Plates

Using 3 x No10 x 1" Hex Self Tappers secure your wall plate end plates in place and attached 3 plastic caps



Simplicity Xtra

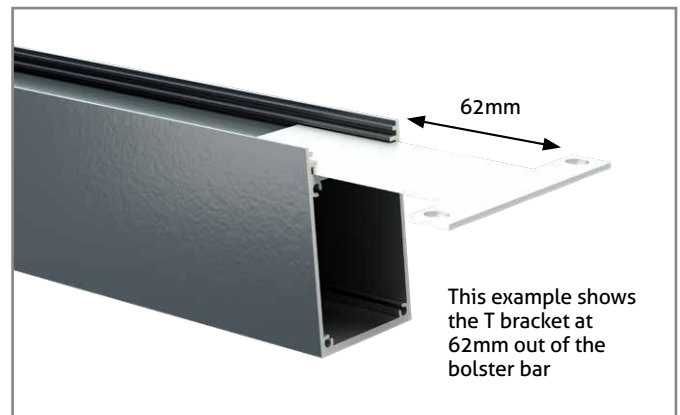
Installation Instructions

8. Preparing your Bolster Bars

You need to prepare your bolster bars ready for Installation. This is best done at ground level.

Using your CAD Drawing Page 2 Detail ref F it will confirm in MM how far the T bracket needs to be located out of the front of the Bolster Bar. Locate your T brackets into the Bolster bar at this confirmed setting.

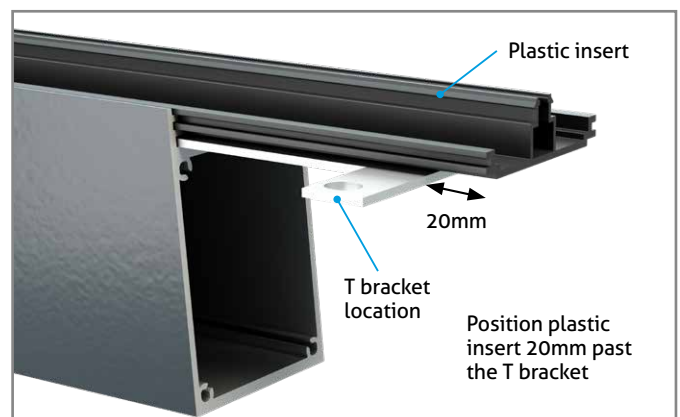
Repeat this process for all the bolster bars.



9. Fitting the Plastic Insert

You now need to fit the plastic insert into the bolster bar. Using your CAD drawing Page 2 detail F (same as above) you will see the insert needs to extend past the T bracket by an additional 20mm.

To fit the plastic insert you slide this into the section just above where the T bracket has been located.



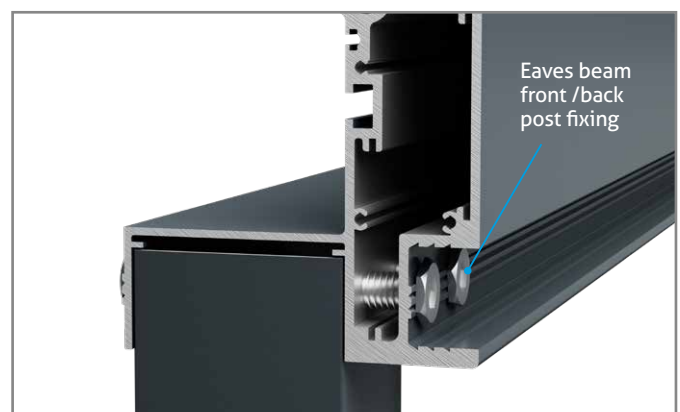
Once the T brackets are fitted in the correct position and likewise the plastic insert is in place you can now secure them together. Using a No 12 x 1 1/4 self driller fix through the plastic insert and T bracket into the bolster bar.



10. Fixing Posts to Eaves Beam

Referring to your CAD drawing as you now need to fix your posts to your eaves beam in the correct position. Do not forget that ONE, maybe more of your posts, need to accommodate an internal downpipe. For any post that is NOT having the Internal Downpipe then using 4 x No12 x 1 1/4 self drillers (2 front and 2 back) you can attach the posts.

For the post(s) that are having the internal downpipe then you can only fix from the back of the Eaves beam which can only be done once the Gutter and Eaves Beam are joined and the internal downpipe kit is in place.

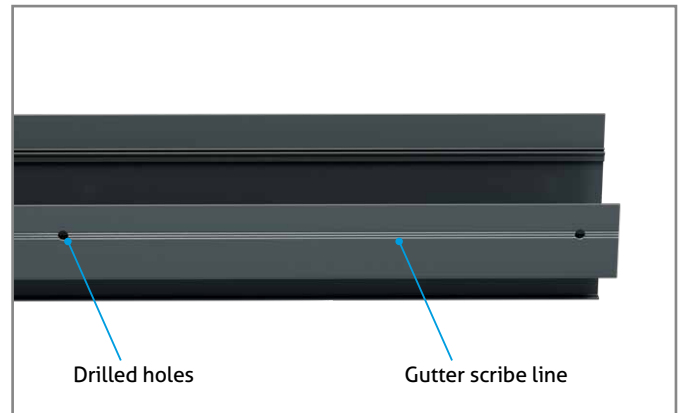


Simplicity Xtra

Installation Instructions

11. Fitting the Gutter to the Eaves Beam

You will notice on the back of the Gutter profile there a scribe line. This is where you need to drill your holes to accommodate your M8 X 12mm Stainless Steel Bolts. If you drill holes 30mm in from each end and then 400mm spacing that will be adequate.



12. Fitting Eaves Beam to the Gutter Profile

Slide as many M8 x 12MM Bolts into the Eaves Beam Bolt channel as holes you have drilled in the Gutter Profile.

Align your Gutter Profile with the Eaves Beam and using M8 Nyloc Nuts secure the 2 profiles together.



13. Internal Downpipe Kit

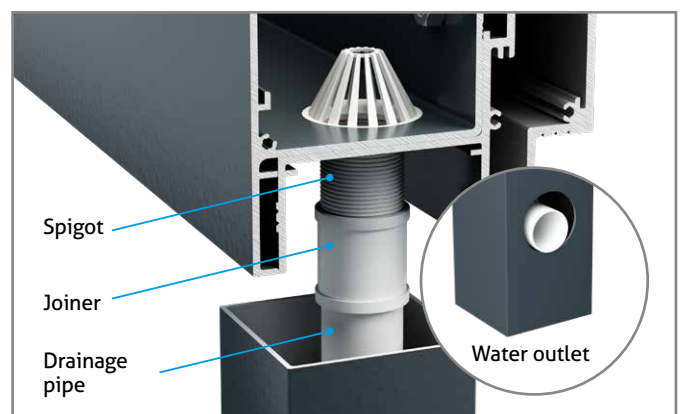
Now that the Gutter and Eaves Beam are joined you need to drill a 42mm hole through both sections directly above where your drainage post(s) is going to be located.

Once this is done you need to connect the outlet spigot through the hole in both section and ensure it is tightly fixed. Then attached the joiner and 40mm water pipe. These are all push fit.



You can now slide your post over this internal downpipe kit and fix your post to the Eaves Beam using No 12 x 1 ¼ Drill screws through the back profile only.

Drill a 42mm hole at the bottom of your post and fix the elbow joint to allow the water to exit.

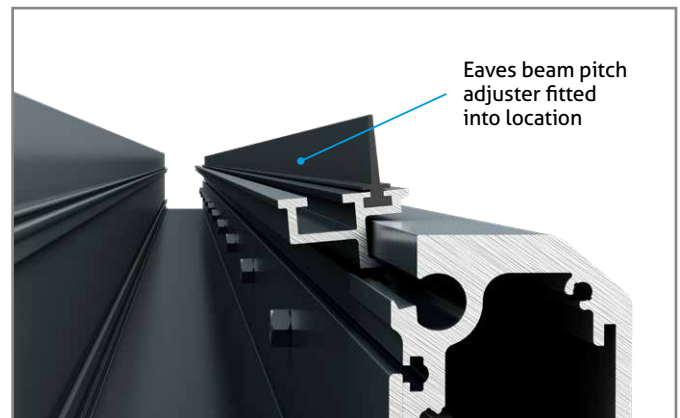


Simplicity Xtra

Installation Instructions

14. Fitting the Eaves Beam Pitch Strip

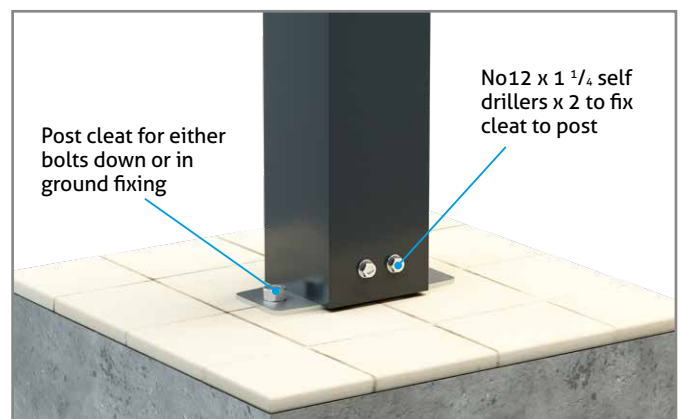
Slide the Eaves Beam Pitch strip into the location on the Eaves Beam. This will have a black gasket fitted to it.



15. Fitting the posts to the Ground

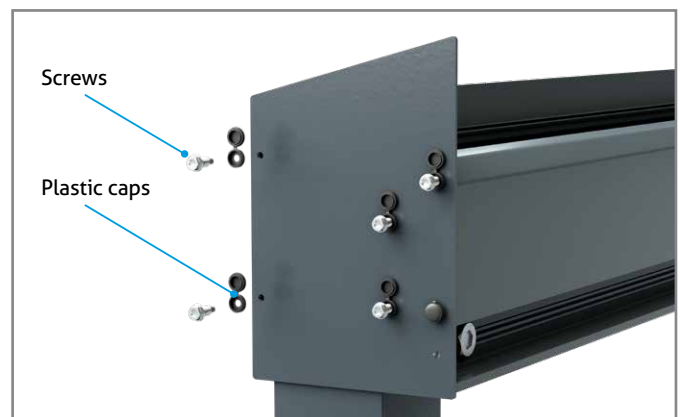
Now that you have your front section all made up you need to secure your posts either into the ground using a 300mm x 300mm x 600mm deep foundation hole or surface mounted onto a concrete pad.

Your posts are always supplied at 3m long therefore they will need to be cut on site to the correct length. The correct height will be confirmed on your CAD drawing. If they are going into the ground then an allowance of 600mm needs to be considered. The fixings to secure the post to a concrete pad and not supplied neither is the aggregate to cast the posts into a foundation hole.



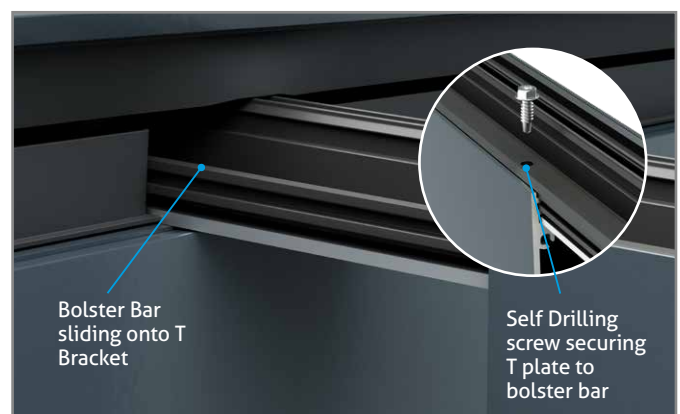
16. Fitting the Gutter End Plates

Using 5 x No 10 x 1" self tappers fit the gutter end plate into position. Once done you need to seal the inside of the Gutter End plate using the silicone provided.



17. Fitting the Bolster Bars

Now that you have your T brackets fitted securely into the correct Wall Plate locations and also fitted to the front of your Bolster bars you can attach the Bolster Bars to the structure. Starting at the back slide your bolster bar onto the fixed T bracket using the same location underneath the plastic inset (same as the front) Ensure your bolster bar is now tight up against the wall plate.



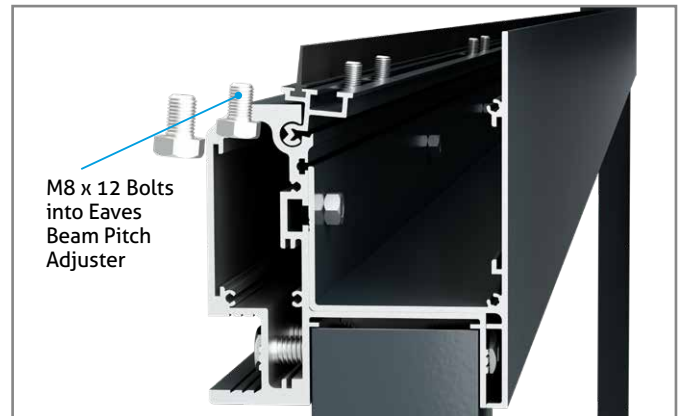
Simplicity Xtra

Installation Instructions

17. Fitting the Bolster Bars contd.

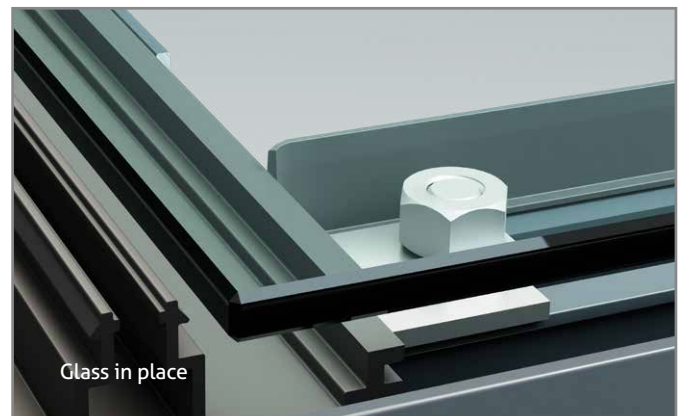
Just like at the front secure the insert to the T bracket and Bolster bar with a No 12 x 1 1/4 self driller.

Slide you M8 x 12 Bolts into the Eaves Beam Pitch Adjuster. You need as many as T brackets holes you have. Cut the rubber gasket by 60mm where the T bracket locates. Locate the T bracket holes over the bolt thread and using your M8 Nyloc nuts tighten up all bolster bars.



18. Fitting of the Glass

Now that you have you structure erected you are now able to glaze the system. Starting at one end lay the 1st piece of glass onto the plastic insert on the End Bar and first bar in. Ensure the glass is located with the wall plate and flush with the edge of the plastic insert at the Gutter End. This should rest on the plastic inserts evenly without touching the centre upright of the plastic insert.

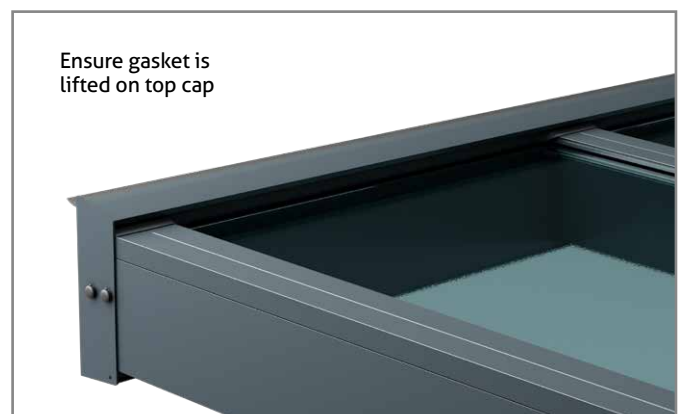


19. Knocking on the Top Cap

Using a rubber mallet firmly hit the centre of the top cap starting at the Wall Plate End.



At the wall plate end there is a large rubber gasket which you must ensure is lifted so it sits on the top of the top cap. If this folds underneath it must be flicked back out.

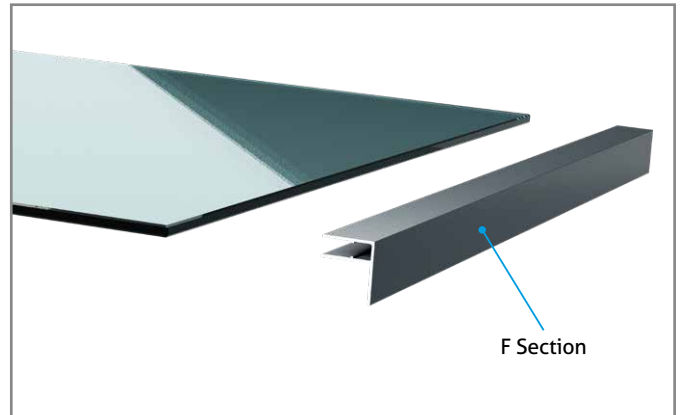


Simplicity Xtra

Installation Instructions

20. Fitting the F Section

Between the 2 Glazing bars you need to add the F Section onto the end of the glass. Apply a small bead of clear silicone into the upper section of the F profile and then push onto the edge of the glass. The F Section will be supplied at the correct width.



21. Fitting of the Bar End Plates

On the end of each bar you need to fix a end plate. Using 2 x No 10 x 1 Self tapping screws fix the plate into the end of the bar.



22. Fitting of the Eaves Beam Capping

So that all the fixings are concealed at the Rear of the Eaves Beam knock the cover capping.



This installation guide should be used in conjunction with the Installation video for this system which can be found on the trade partner area of our website.

Milwood Group
Europa & Jenner House, Victory Park, 1-2 Trident Close,
Medway City Estate, Rochester, ME2 4ER
0333 305 5272 | sales@milwoodgroup.com

www.milwoodgroup.com



SCAN ME